

● Rectangular SAW Mountings



Metalastik® type Rectangular SAW Mountings and Novibra® type 3" COMP

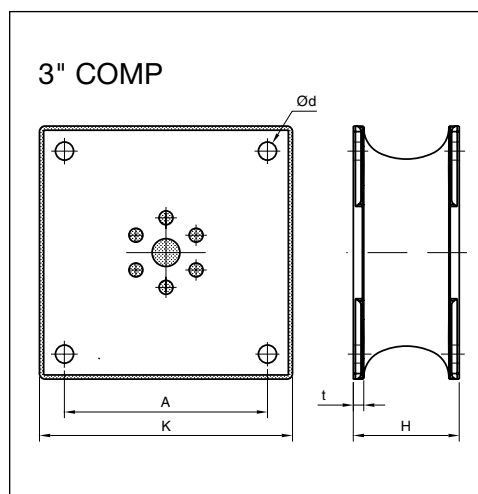
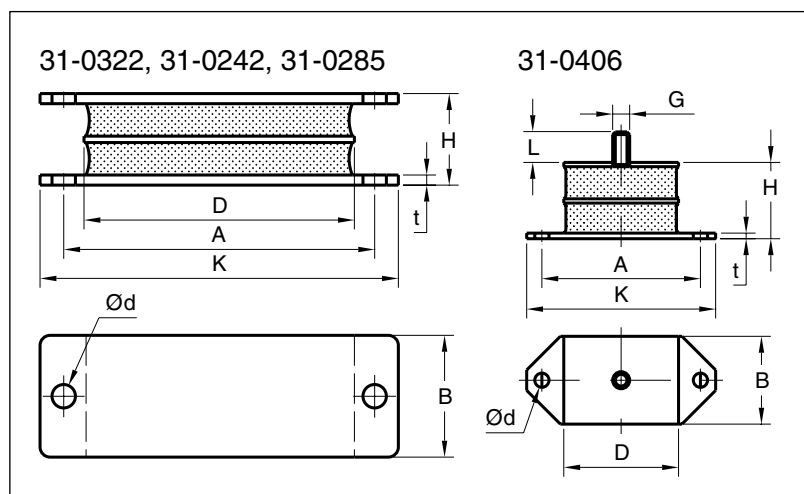
Widely used for suspending engines on road vehicles and may also be employed as springs for vibratory equipment.

Features

Rectangular SAW mountings are also known as 'Sandwich' mountings because they feature a rubber section sandwiched between plates of metal. This arrangement allows a large difference between the compression and shear stiffnesses, thus providing the potential to 'tune' a mounting system by rotating the mountings. These mountings are commonly installed in a 'Vee' formation to utilise this feature.

The Rectangular SAW Mountings has the following features:

- Available with plate or stud fixings.
- Can be loaded in compression or shear, or a combination of both, for example in a 'Vee' arrangement.
- Can be manufactured with or without interleaves to change the ratio of shear to compression stiffness.



Rectangular SAW mountings		Dimensions in mm									Max load in	Max load in	Weight
Type	Part no.	A	B	K	H	D	d	t	G	L	compression (kg)	shear (kg)	(kg)
31-0322-45	10-00658-01	89	57	108	43	63.5	11	5			180	50	0.65
31-0322-60	10-00659-01	89	57	108	43	63.5	11	5			360	75	0.65
31-0242-45	10-00648-01	146	57	168	43	127	11	5			450	120	1.1
31-0242-60	10-00651-01	146	57	168	43	127	11	5			900	150	1.1
31-0242-70	10-00652-01	146	57	168	43	127	11	5			1050	150	1.1
31-0406-45	10-00661-01	74.5	41	89	36	54	6.5	2.5	M8	14	90	40	0.23
31-0406-60	10-00971-01	74.5	41	89	36	54	6.5	2.5	M8	14	180	70	0.23
31-0406-70	10-00663-01	74.5	41	89	36	54	6.5	2.5	M8	14	250	90	0.23
31-0285-45	10-00656-01	146	57	168	43	127	11	5			275	150	0.9
31-0285-60	10-00657-01	146	57	168	43	127	11	5			546	150	0.9
3"COMP-55	10-00067-01	146		182	76		13	7.5				220	3.4
3"COMP-60	10-00065-01	146		182	76		13	7.5				280	3.4
3"COMP-65	10-00066-01	146		182	76		13	7.5				340	3.4