

● Cushyfloat™ Mountings



Metalastik® type Cushyfloat™

The Cushyfloat™ mounting is an ideal general purpose unit designed to provide effective isolation of vibration and noise arising from many types of static and mobile equipment including:

- Marine, industrial and vehicle engines
- Generator sets
- Pumps
- Compressors

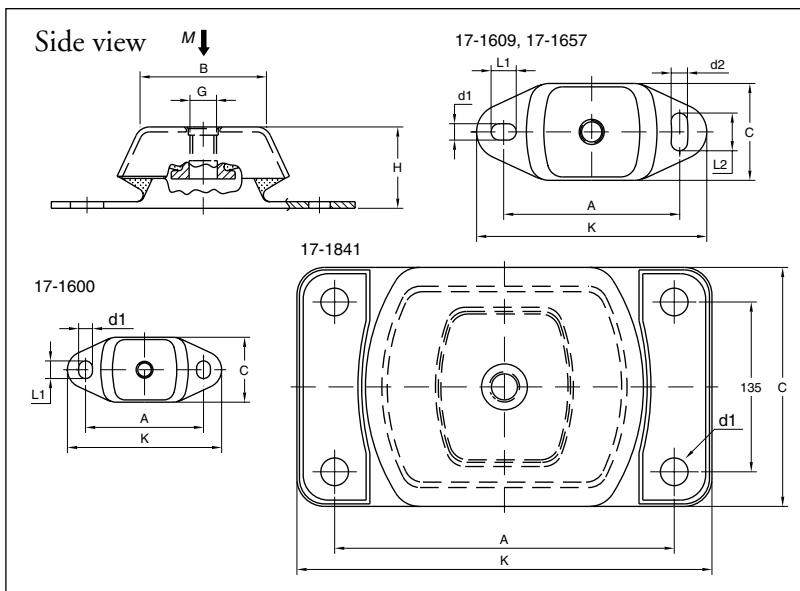
Features

Originally designed for use with marine engines, this compact low profile mounting is easy to install. It combines 3 way control of the suspended equipment with relatively large static deflections where the rubber is loaded in shear and compression.

The design incorporates bump and rebound control features which limit excessive movements under shock loading. Top metal cover gives protection against oil contamination.

Protective finish resists corrosion attack. Propeller thrust on marine applications is accommodated. There are four sizes in the standard range which with varying degrees of rubber hardness cater for point loads from 32 kg to 3000 kg. Natural frequencies as low as 8 Hz are possible.

N.B. When used in marine engine applications with thrust forces involved, the maximum load capacity is substantially reduced, see table below!



Cushyfloat Type	Part no.	Dimensions in mm										Weight (kg)	M-max (kg)	*M-max (kg)	Max longitudinal force, F (N)
		B	C	A	K	H	d1	L1	d2	L2	G				
17-1600-45	10-00535-01	60	60	100	120	38	11	14			M12	0.3	50	35	370
17-1600-55	10-00536-01												65	55	560
17-1600-65	10-00537-01												100	80	830
17-1609-45	10-00545-01	75	75	140	183	50	13	20	13	30	M16	0.9	150	95	1000
17-1609-55	10-00546-01												210	140	1500
17-1609-65	10-00547-01												300	210	2300
17-1609-75	10-00548-01												450	315	3300
17-1657-45	10-00557-01												350	250	2800
17-1657-55	10-00558-01	80	112	182	230	70	18	26	18	34	M20	2.4	520	370	4200
17-1657-65	10-00559-01												800	560	6400
17-1657-75	10-00560-01												1000	700	11800
17-1841-40	10-00605-01												950	630	5300
17-1841-50	10-00606-01	221	190	270	330	110	Ø22				M24	9.6	1400	945	7100
17-1841-60	10-00607-01												2200	1575	12500
17-1841-70	10-00608-01												3000	2100	18000

*Marine engine applications with thrust forces M-max (kg)