

## ● BA & Double U-Shear



### Novibra® type BA and Metalastik® type Double U-Shear

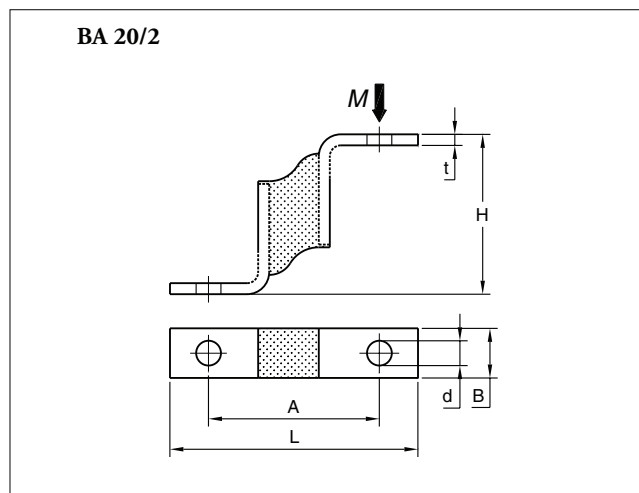
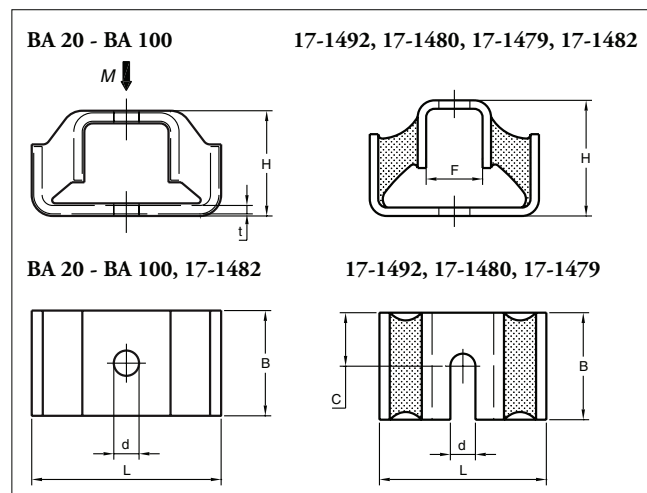
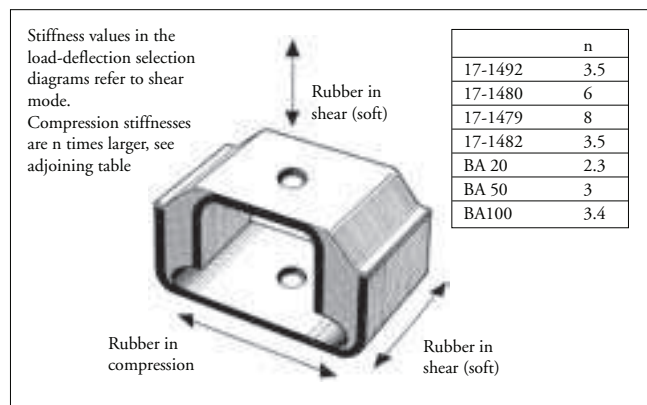
Novibra® type BA and Metalastik® type Double U-Shear are equally suitable for isolating vibrations from low speed machines and equipment. Protects sensitive and light-weight units from external shocks and vibrations.

Type BA and Double U-Shear are easy to install and ideal for applications e.g.

- Light fans and compressors
- Portable gensets and pumps
- Computers and electronic units
- Transit cases
- Measuring and test instruments
- Gauging equipment

### Features

Novibra® type BA and Metalastik® type Double U-Shear mountings utilise bonded rubber in shear to permit relatively high deflections. Provides excellent isolation of low frequencies. (Type BA 20/2 is a half section suitable for very light loads). On rotating equipment applications the soft axis should be at right angles to the shaft. On mobile applications the stiff axis should be aligned in the direction of travel. For transit case applications the mountings need to be arranged so that the horizontal stiffness is the same in all directions.



Type	Part no.		Dimensions in mm					Weight		<i>M</i> -Max (kg)		
	40° IRH	60° IRH	B	L	H	A	F	d	t	40° IRH	60° IRH	
BA 20/2	10-00005-01	10-00006-01	20	90	58	62		8	4	0.09	12	27
BA 20	10-00145-01	10-00146-01	20	90	50			10	4	0.16	20	35
BA 50	10-00147-01	10-00148-01	50	90	50			12	4	0.42	60	110
BA 100	10-00149-01	10-00150-01	100	90	50			15	4	0.83	130	250
Double U-shear	40° IRH	50° IRH	C							40° IRH	50° IRH	
17-1492	10-00518-01	10-00519-01	19	60	43		19	10.3	6.7	0.09	14	20
17-1480	10-00511-01	10-00512-01	51	80	78		32	25	13	0.6	70	100
17-1479	10-00509-01	10-00510-01	64	86	108		38	32	16.7	1.1	150	220
17-1482	10-00515-01	10-00516-01	51	60	41		20		11	0.2	37	56