



**Novibra® type EH**

Type EH mountings are designed to achieve effective vibration isolation on engines, operator cabins and other ancillary units.

Typical applications can be found in the following areas:

- Off-road equipment
- Military vehicles
- Transport machinery
- Construction equipment
- Agricultural vehicles
- Industrial mobile machinery

**Max tightening torque**

- EH 4850: 40 Nm
- EH 6463: 80 Nm
- EH 9075: 200 Nm

**Features**

Type EH is designed primarily for mobile applications where high dynamic and shock forces are encountered.

Dynamic vertical movements in both the directions are restricted and excellent horizontal stability is provided.

Stress on brackets are optimized while at the same time obtaining vibration isolation and shock absorption.

The function of EH includes features as:

- Dynamic efficiency in all directions
- Attenuation of structure-borne noise
- Accommodation of misalignment and distortion
- Simple design – easy to install
- Fail-safe installation
- Wide load range, 80 to 450 kg

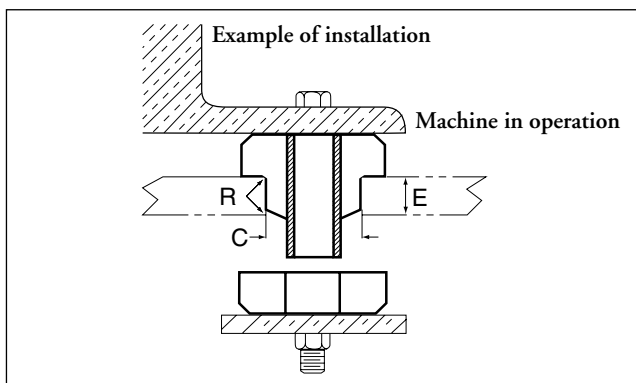
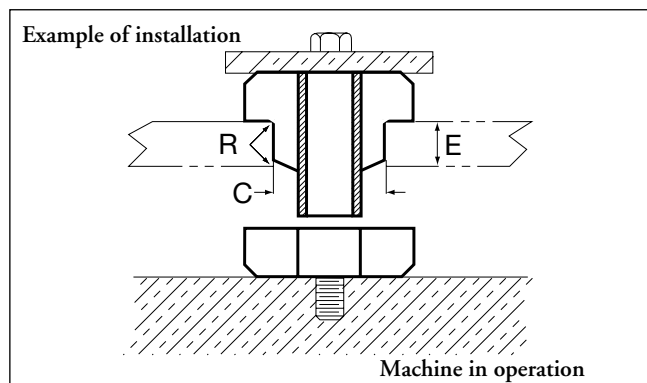
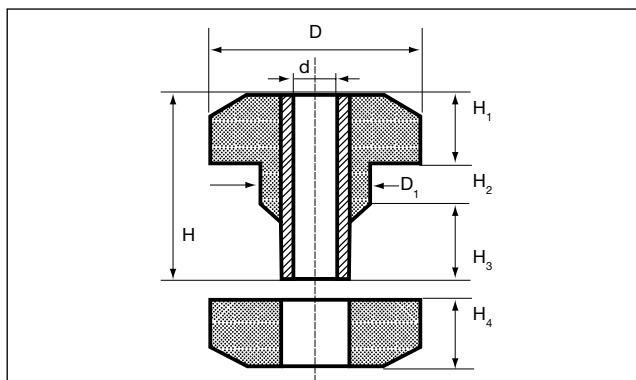


Table of dimensions for installation

Type	C	Dimensions in mm			Top & Bottom Washer
		E	R		
EH 4850	31.0	15.0	1.5		20-00416-01
EH 6463	39.0	22.0	2.3		20-00532-01
EH 9075	56.5	28.0	3.0		20-00533-01

Type	Part no. 40° IRH	Part no. 60° IRH	Dimensions in mm							Max load (kg)		
			d	D	D1	H	H1	H2	H3	H4	40° IRH	60° IRH
EH 4850	20-00621-01	20-00620-01	13.0	50	32	50	20	10	20	20	80	130
EH 6463	20-00619-01	20-00618-01	17.0	64	40	62	23	14	25	23	120	260
EH 9075	20-00617-01	20-00616-01	23.0	89	58	73	25	19	29	25	260	450