

Fanflex™



Features

Simple design with metal parts encapsulated in high grade oil-resisting rubber compound giving good environmental resistance.

Provides relatively large static deflections and hence a high degree of vibration attenuation - 90% isolation for disturbing frequencies of 15 Hz (900 c.p.m).

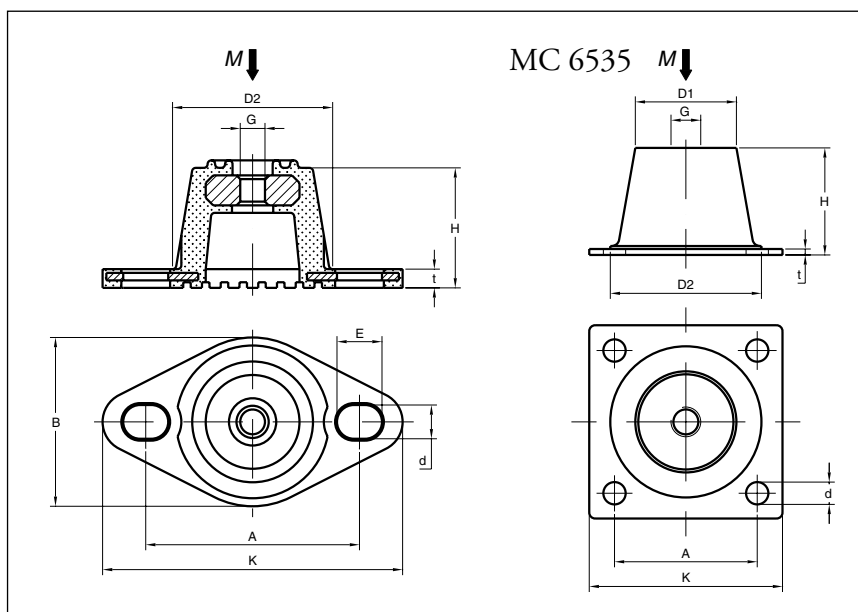
Range gives capacity for point loads of 35 kg to 350 kg.

Metalastik® type Fanflex™

A simple mounting designed predominantly for the suspension of heating, ventilating and air conditioning equipment.

May be used for:

Pumps, fans, compressors and control cabinets.



Type	Part no.	Dimensions in mm									Weight (kg)	M-Max (kg)	Colour code	
		A	K	H	B	D1	D2	E	G	d				t
Fanflex 100-45	20-00518-01	57	80	32	45		41	12	M8	9	5	0.09	35	yellow
Fanflex 100-55	20-00519-01	57	80	32	45		41	12	M8	9	5	0.09	65	blue
Fanflex 100-65	20-00520-01	57	80	32	45		41	12	M8	9	5	0.09	100	red
Fanflex 200-45	20-00521-01	71	95	45	60		56	14	M10	9	5	0.22	130	yellow
Fanflex 200-55	20-00522-01	71	95	45	60		56	14	M10	9	5	0.22	225	blue
Fanflex 200-65	20-00523-01	71	95	45	60		56	14	M10	9	5	0.22	350	red
MC 6535-45	20-00662-01	48	65	36		34	51	8	M10	7.5	2	0.12	45	white
MC 6535-55	20-00663-01	48	65	36		34	51	8	M10	7.5	2	0.12	75	red
MC 6535-65	20-00664-01	48	65	36		34	51	8	M10	7.5	2	0.12	115	black