

● Metaxentric™ Bushes



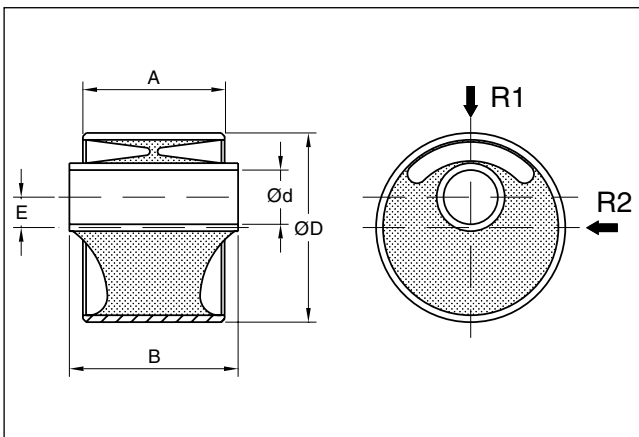
Metalastik® type Metaxentric™ Bushes

Similar to conventional Ultra Duty Bushes but with inner and outer sleeves offset radially. This feature provides a greater rubber thickness and hence increased flexibility in the normal direction of loading while maintaining control in other modes and still allowing torsional movement.

The rubber section is relieved to eliminate harmful tensile stresses.

Applications

- Vehicle spring eye mounting
- Tilt Cab pivot bush
- Engine mounting



Features

Metaxentric™ bushes have a large rubber section with the central pin offset towards one radial plane. These bushes can provide a relatively large radial deflection, but have excellent motion control characteristics.

The Metaxentric™ bush has the following features:

- Three dissimilar translational stiffnesses for the best vibration isolation and motion control.
- Load range from 130 to 400 kg.
- 'Rising rate' stiffness characteristics for overload conditions help to limit motion and transmitted acceleration.
- Robust and fail-safe, suitable for ROPS and FOPS cab structures.
- Simple to fit, the housing lends itself to robust structures.

Type	Dimensions						Radial properties				
Metaxentric™	Part no.	d	D	A	B	E	Dir R1		Dir R2		Weight
							Stiffn M/m	Max def.	Stiffn N/mm	Max load(kg)	(kg)
13-1270-50	10-00252-01	16	47.6	50.8	63.5	7.1	675	2	1600	135	0.18
13-2174-60	10-00297-01	24	75.3	50.8	70	10.5	910	3.5	1200	318	0.59
13-1165-50	10-00244-01	25.4	88.9	66.7	79.4	14.3	475	3.8	640	180	0.86
13-1165-65	10-00245-01	25.4	88.9	66.7	79.4	14.3	900	3.8	990	340	0.86
13-1355-60	10-00263-01	43.7	101.6	63.5	72.4	9.5	1300	3.5	2200	482	1.1