

● RAB



Novibra® type RAB

Effective isolation of vibration and noise on different machinery with rotating movements, e.g.

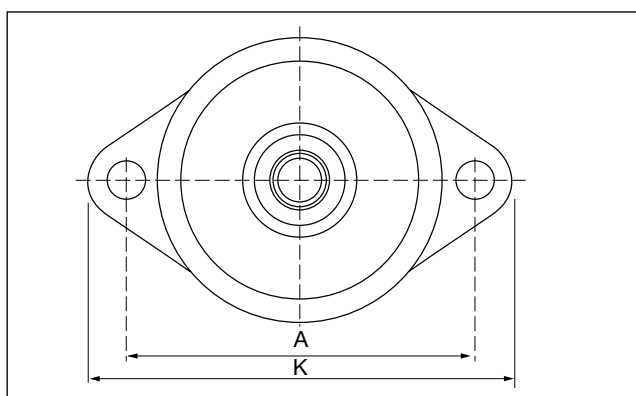
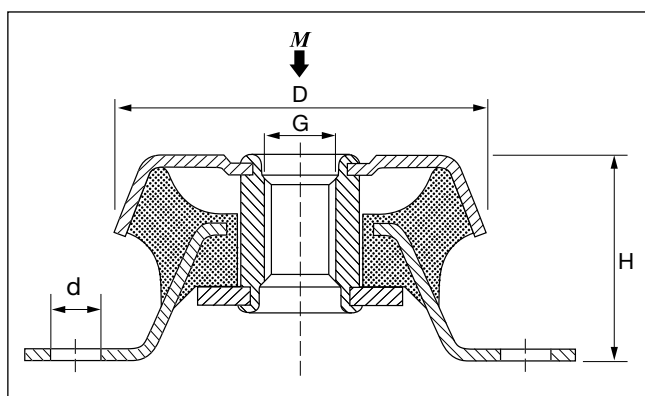
- Diesel engines
- Combustion engines
- Emergency power packs
- Pumps
- Industrial gensets
- Marine gensets

Features

Similar in design to the RA/RAEM range, type RAB uses rubber in shear and compression for optimum stiffness characteristics and horizontal stability. Especially effective on small 1, 2 and 3 cylinder diesel engines where the special compound employed provides effective isolation of vibration while eliminating much of the excessive movement normally associated with 1–3 cylinder engines.

Its unique construction and the latest production methods make Novibra® type RAB a high performance mounting having a number of advantages:

- Rubber features are utilised effectively combining compression and shear.
- Tight tolerances on dynamic stiffness rate for accurate vibration calculations.
- Load rating options, 10-130 kg.
- Corrosion protected to cope with arduous environments on land or marine applications (Fe/Zn8C as per ISO 2081).
- Fitted as standard with a shock-proof device with resilient stop, ideal for mobile or marine use. The RAB-mounts can accommodate occasional shock loads to 5 g reference to the weight. The mount will withstand shock loads up to 2 g without plastic deformation.
- Clear and durable product marking so that mountings can be identified even after several years in operation.
- Domed shape cover to protect against oil contamination.



Type	Part no. 55° IRH	Dimensions mm					Weight		
		D	A	H	K	d	G	kg	M-Max (kg)
RAB-0	10-00178-01	63	76	35	93.5	8.5	M12	0.22	130
RAB -2	10-00179-01	63	76	35	93.5	8.5	M12	0.22	105
RAB -3	10-00180-01	63	76	35	93.5	8.5	M12	0.22	70