

● SE



Features

The SE-mounting consists of an annular rubber section, securely bonded to a single steel support plate. A clearance hole is provided which can either be left plain or tapped to suit the application.

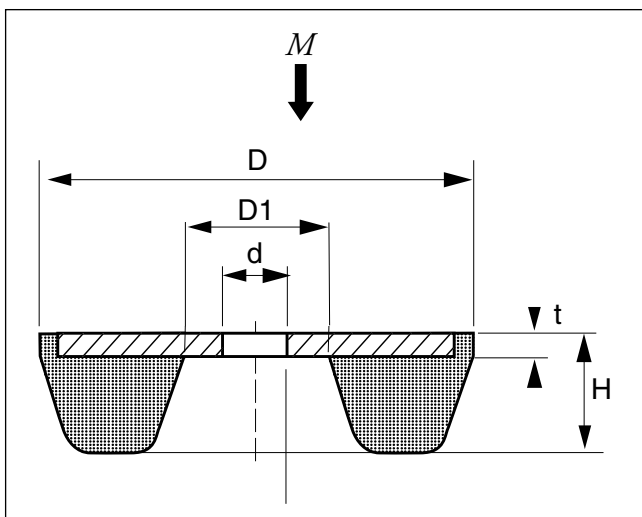
As the rubber element is in direct contact with the supporting surface, friction is normally sufficient to prevent the suspended equipment from “walking”.

Novibra® type SE

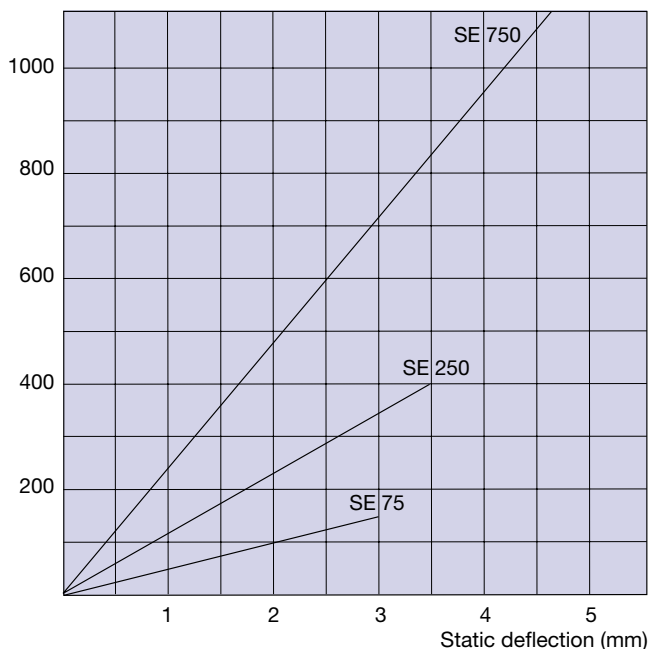
Type SE is suitable for the isolation of high frequency disturbances and provides reduction of structure-borne noise.

Specific applications are:

- Office equipment
- Textile machinery
- Domestic appliances
- Electric motors
- Weighing equipment



Load per mounting (kg)



Type	Part no. 50° IRH	Dimensions in mm					Weight (kg)	<i>M</i> -Max (kg) 50° IRH
		D	D1	d	H	t		
SE 75	20-00612-01	55	18	8	15	3	0.069	150
SE 250	20-00631-01	75	25	10	17	4	0.172	400
SE 750	20-00632-01	115	40	14	24	4	0.456	1100