

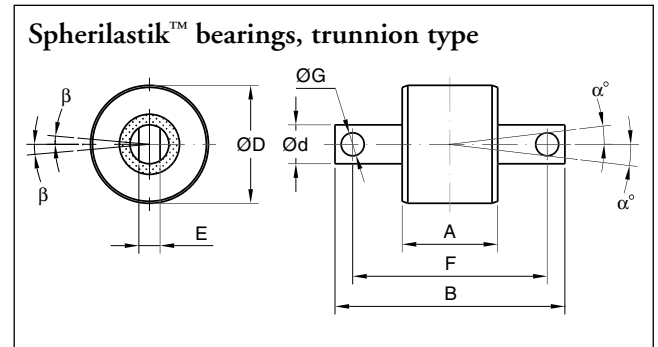
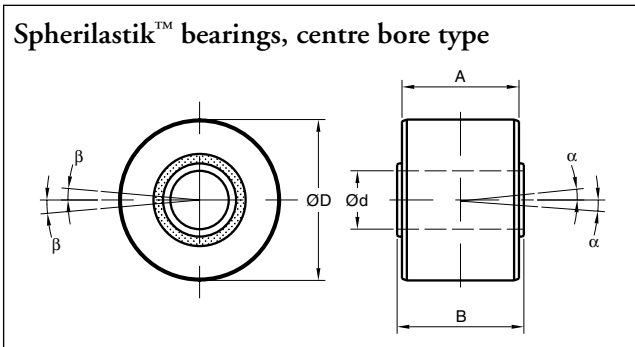


## Features

A heavy duty flexible bearing which combines high load capacity with the ability to accommodate torsional and angular movements in all planes without lubrication and metal to metal wear. It is available with centre bore or solid member depending on fixing requirements.

## Metalastik® type Spherilastik™ Bearings

Typical uses include traction and braking reaction rods for rail, road and off-road vehicles, hydraulic damper fixings and other applications where a high duty bearing of compact size is required.



| Type                          | Part no.    | Dimensions in mm |       |      |      |    |     |      | Radial          |             | Torsion           |            | Bending           |            | Weight (kg) |  |
|-------------------------------|-------------|------------------|-------|------|------|----|-----|------|-----------------|-------------|-------------------|------------|-------------------|------------|-------------|--|
|                               |             | d                | D     | A    | B    | E  | F   | G    | Stiffness kN/mm | Max load kN | Stiffness kNm/rad | ±β degrees | Stiffness kNm/rad | ±α degrees |             |  |
| <b>Spherilastik™ bearings</b> |             |                  |       |      |      |    |     |      |                 |             |                   |            |                   |            |             |  |
| 13-1316-60                    | 10-00257-01 | 25.4             | 66.7  | 47.6 | 54   |    |     |      | 70              | 34          | 0.9               | 8          | 0.9               | 6          | 0.84        |  |
| 13-1006-60                    | 10-00237-01 | 28.6             | 90.5  | 70   | 76.2 |    |     |      | 93              | 58          | 2.8               | 8          | 2.8               | 6          | 2.5         |  |
| <b>Centre bore type</b>       |             |                  |       |      |      |    |     |      |                 |             |                   |            |                   |            |             |  |
| 13-2106-60                    | 10-00291-01 | 28.6             | 84    | 63   | 76.2 |    |     |      | 100             | 58          | 2.8               | 8          | 2.8               | 6          | 1.8         |  |
| 13-1285-60                    | 10-00255-01 | 38.1             | 104.8 | 76.2 | 82.6 |    |     |      | 90              | 78          | 4.5               | 8          | 3.8               | 7          | 3.4         |  |
| <b>Trunnion type</b>          |             |                  |       |      |      |    |     |      |                 |             |                   |            |                   |            |             |  |
| 13-2202-60                    | 10-00302-01 | 35               | 66.7  | 47.6 | 120  | 20 | 90  | 13   | 70              | 34          | 0.7               | 8          | 0.9               | 6          | 1.2         |  |
| 13-2033-60                    | 10-00283-01 | 40               | 84    | 65   | 155  | 20 | 120 | 16.5 | 150             | 75          | 2.8               | 6          | 2.8               | 6          | 2.8         |  |