

Two Bolt Instrumountings ●



Metalastik® type Two Bolt Instrumountings

Two Bolt Instrumountings provide a convenient and effective means of isolating vibration generated by lightweight machinery. Also used to protect instruments and light equipment from vibration and shock. They may be loaded in compression or shear depending on application requirements.

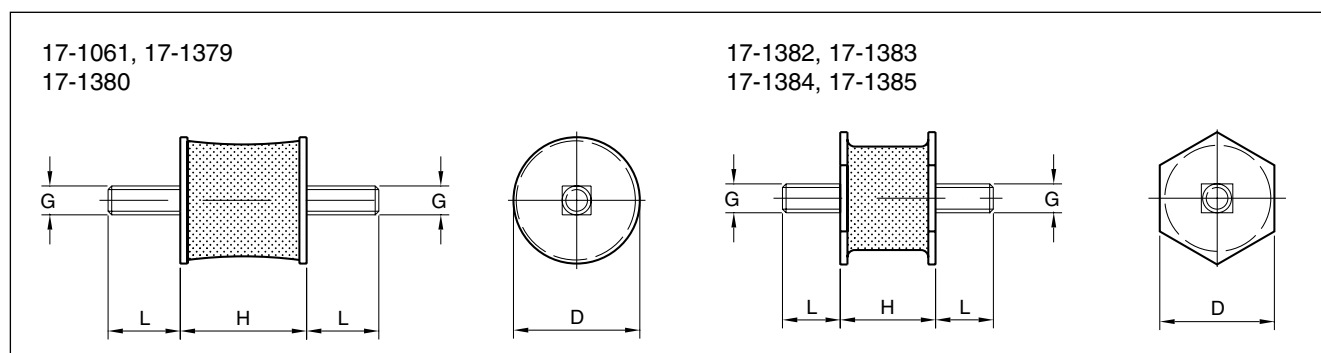
Typical applications:

- Instrument panels
- Lightweight laboratory machines
- Electronic equipment

Features

These mountings are high quality products capable of protecting light equipment from vibration and shock. Two Bolt Instrumountings are available in either 45° or 60° IRH natural rubber compound. Similar to Rectangular SAW Mountings and Circular SAW Mountings, Two Bolt Instrumountings can be assembled in a 'Vee' arrangement for good stability and improved vibration isolation.

- Circular or hexagonal end plates for simple fitting
- Can take up to 3 times rated load under shock conditions.
- Takes load in either shear or compression, or a combination.
- Fixing bolts threaded to within 2 pitches of the end plate.
- Up to 12 mm deflection in shear for a very soft suspension.
- Top quality bond strength for reliability and safety.



Two bolt instrumountings		Dimensions in mm				Max load in	Max load in	Weight
Type	Part no.	D	H	G	L	compression (kg)	shear (kg)	(kg)
17-1061-45	10-00443-01	11	11	M4	10	2.4	2.3	0.005
17-1061-60	10-00444-01	11	11	M4	10	4.8	2.5	0.005
17-1379-45	10-00470-01	21	22	M6	15	7.0	5	0.02
17-1379-60	10-00471-01	21	22	M6	15	14	5	0.02
17-1380-45	10-00472-01	35	34	M8	20	16	15	0.07
17-1380-60	10-00473-01	35	34	M8	20	32	15	0.07
17-1382-45	10-00476-01	15	16	M6	15	3.8	3	0.013
17-1382-60	10-00477-01	15	16	M6	15	7.6	3	0.013
17-1383-45	10-00478-01	21	19	M8	20	8.0	6	0.03
17-1383-60	10-00479-01	21	19	M8	20	16	6	0.03
17-1384-45	10-00480-01	32	26	M8	16	15	10	0.06
17-1384-60	10-00481-01	32	26	M8	16	30	10	0.06
17-1385-45	10-00482-01	33	22	M10	25	30	14	0.11
17-1385-60	10-00483-01	33	22	M10	25	60	14	0.11